

NEW TOWN KOLKATA DEVELOPMENT AUTHORITY

(A Statutory Authority Under Government of West Bengal)
3, Major Arterial Road, New Town, Kolkata - 700 156

MEMO NO: 8815/ NKDA/Engg-36/2010(X)

DATE:09/12/2019

NOTICE INVITING e-TENDER

Notice Inviting e-Tender No: WBNKDA/27EE-I/NKDA/2019-20

Executive Engineer I, New Town Kolkata Development Authority invites percentage rate tender from resourceful, reliable, bona-fide and experienced working contractors of KMDA, WBHIDCO, PWD, PHED, Railways and other Govt. and semi Govt. organizations having experience in similar nature of work, and are requested to submit their offer for the work detailed below.

(Submission of Bid through **online**)

List of Schemes :-

Name of work	Estimated Amount (Rs.)	Earnest Money (Rs.)	Price of Tender documents (Rs.)	Period of completion
Installation of Outdoor Gym at Eco Urban Village Action Area IIB , New Town	44,90,487/- (Rupees forty four lakh ninety thousand four hundred eighty seven only)	90,000/- (Rupees ninety thousand only)	Rs. 2,505.00 Each set to be paid only by the successful bidder during the time of agreement	60 (Sixty) days

1. In the event of e-filling, intending bidder should download the tender documents from the website <http://wbtenders.gov.in> indirectly with the help of Digital Signature Certificate. All the bidder shall have to submit earnest money & necessary earnest money will be deposited by the bidder through the following payment mode as finance dept. order no-3975-F (Y) dated 28th July 2016 (Annexure-A)
 - i) Net banking (any of the banks listed in the ICICI Bank payment gateway in case of payment through ICICI payment gateway).
 - ii) RTGS/NEFT through bank account in any bank. The EMD shall be deposited in favour of "New Town Kolkata Development Authority" payable at Kolkata.
2. Both Technical bid and Financial bid are to be submitted concurrently duly digitally signed in the website <https://wbtenders.gov.in>. The acceptance of lowest bid is not obligatory.

3. Tender documents may be downloaded from website and submission of Technical Bid and Financial Bid will be done as per Time Schedule stated in Sl. No. 14 of this NleT.
4. The **FINANCIAL OFFER** of the prospective qualified tenderer(s) will be considered only if the **TECHNICAL BID** of the tenderer(s) is found qualified by competent authority of New Town Kolkata Development Authority. The decision of the competent authority of New Town Kolkata Development Authority will be final and absolute in this respect. The list of Qualified Bidders will be displayed in the website.
5. In term of Finance Department, Audit Branch, Govt. of West Bengal's Notification no.4374-F(Y) dated 13th July, 2017, the bidder has to upload valid 15-digit Goods and service Taxpayer Identification Number (GSTN) under GST Act, 2017, along with his bid. The bidder should note that bid submitted without GSTIN will be summarily rejected
6. In term of finance dept. Govt. of West Bengal **G.O. no-4608-F (Y)** dated 18th July 2018 when bid rate is 80% or less of Estimated Amount put to tender, the Bidder shall submit Additional Performance Security @ 10 % of the Tendered Amount from any Schedule Bank, before issuance of work order.

The Additional performance security shall be submitted in the form of Bank Guarantee from any scheduled Bank before issuance of the work order. If the bidder fails to submit the additional performance security within seven working days from the date of issuance of Letter Acceptance, his earnest money will be forfeited and other necessary action as per NIT like blacklisting of the contractor, etc. may be taken. The bank Guarantee shall have to be valid up to end of the contract period and shall be renewed accordingly, if required.

7. Eligibility criteria for participation in the tender.

Working Contractors of KMDA, WBHIDCO, PWD, PHED, Railways and other Govt. & semi Govt. organization having satisfactorily completed (as prime contractor)

- a) Similar nature of single work of the minimum value of Rs18, 00,000/- (Rupees eighteen lakhs only) during last 5(five) years prior to the date of issue of the tender notice.

OR

- b) Intending tenderer may also produce credential of 02 (two) similar nature of completed work, each of minimum value of Rs.14, 00,000/- (Rupees fourteen lakh only) during last 5(five) years prior to the date of issue of the tender notice.

OR

- c) Intending tenderer may also produce credential of one single running work of similar nature which has been completed to the extent of 80% or more and value of which is not less than the estimated value. In case of running works, only those tenderers who will submit the certificate of satisfactory running work from the concerned Executive Engineer, or equivalent competent authority will be eligible for the tender. In the required certificate it should be clearly stated that the work is in progress satisfactorily and also that no penal action has been initiated against the executed agency, i.e, the tenderer.

- i) Payment certificate will not be treated as credential.
 - ii) Credential certificate issued by the Executive Engineer or equivalent or competent authority of a state/central Government, state/ central Government undertaking statutory/ Autonomous bodies constituted under the central/ state statute, on the executed value of completed/ running work will be taken as credential.
 - d) Intending Tenderer must be financially sound with a minimum average turnover of Rs.9lakh, (Rupees ten lakh only) during the last three financial years and having a trade license, G.S.T Registration certificate and Profession Tax certificate.
 - e) PAN Card, Income Tax Return Acknowledgement Receipt for the last 03 (Three) Assessment years, P.T.Deposit Challan for the year 2018-2019.
 - ii) Registered Partnership Deed for Partnership Firms only along with Power of Attorney since executed under any Judicial Magistrate/First Class Magistrate is to be submitted. The company shall furnish the Article of Association and Memorandum as on-statutory documents.
 - iii) Joint Ventures/MOU will not be allowed.
 - iv) Three consecutive years' Audit report to be submitted along with Tender documents.
8. Similar work means
- i) Work involving supply and installation of play/gym equipment/sculptures in a park or other open air set up.
- OR
- ii) Civil construction work with at least 30% outdoor open air finished space.
9. Fund for this project has been made available from the Smart City Mission by the New Town Kolkata Green Smart City Corporation Limited.
10. On-going payments or part payment for work may be allowed to the executing agency as per existing rules. Subject to deduction of security deposit, progressive payment may be made against the completed or partly completed item of works. Such interim payments, shall be made as running account bill (s), however, shall not be construed to mean that the respective items / components have finally been approved and accepted by NKDA and the contractor shall not be absolved of his responsibility to set right any deficiency of such paid items / components at his/ their own cost, for rectifying all defects which are subsequently being noted or found.
11. No claim for interest or compensation will be entertained in respect to any money or balance of payment which may be due or alleged to be due to the contractor owing to any dispute between the contractor and NKDA or in respect to any delay in making payment of progressive or final bill of the work, to the contractor.
- Payment for the works done by the contractor will be based on recorded and accepted measurement at various stages of work. Acceptance of measurements put for payment to be invariably made by putting signature (with seal) of the contractor (or his/ their authorized representative). The contractor or his / their authorized representatives are advised to take measurements jointly with the officials of NKDA. In case of failure on

his/their part either to take measurement jointly and /or acceptance of the recorded measurement, within a reasonable time, measurement taken by the department shall be considered as final for making payment. Similar acceptance is also essential for level records and survey data, field books etc.

12. No advance and secured advance will be allowed.

13. Idle labour, idle rent and hire charges etc.:

No claim of any category and type, on this ground shall be entertained. The contractor and NKDA shall make every effort that such situation does not arise.

- 14. Testing and Testing Equipment:** Testing of materials, to be used in work and the quality of finished work on quality control aspect, is to be undertaken by the contractor at their own cost, with facilities provided at site and / or through approved (by NKDA) Test Houses / Laboratories. All materials and workmanship shall be in accordance with the specifications laid down in the contract and also as per P.W.D.(Buildings & Road Scheduled) and IS Codes . The Engineer-in-Charge reserves the right to test, examine and measure the material / workmanship direct at the place of manufacture, fabrication or at the site of works or any suitable place. The contractor shall provide such assistance, instrument machine, labour and materials as the Engineer-in-Charge may require for examining, measuring and testing the works and quality, weight or quantity of materials used and shall supply samples for testing as may be selected and required by the Engineer-in-Charge without any extra cost. Beside this, he/they will carry out tests from outside Laboratory as per instruction of Engineer-in-Charge. The cost of all such tests would be borne by the agency.

Should the Chief Engineer or his representative consider it necessary to satisfy himself/themselves as to quality of work, the contractor shall offer sample of work done as necessary, pull down reasonable part of the work required for inspection and testing. The contractor shall bear the cost of pulling down and shall make good the same at their own cost and to the full satisfaction of E-I-C without any claim for payment.

15. Security Deposit:

Retention money towards performance Security amounting to 8% (eight percent) of the value of the work shall be deducted from the running account bill of the tenderer as per prevailing order. No interest will be paid on the money retained for Security Deposit.

16.Date and Time Schedule:

Sl. No.	Particulars	Date & Time
1	Date of uploading of N.I.e.T. & other Documents (online) (Publishing Date)	09/12/2019
2	Date and venue of pre bid meeting	13/12/2019 at 3.00 P.M. Conference Hall of NKDA at 01, MAR, New Town, Kolkata - 700156
3	Documents download start date (Online)	09/12/2019 from 6:30P.M.
4	Documents download end date (Online)	24/12/2019 upto 10:00A.M.
5	Bid submission start date (On line)	09/12/2019 from 6:30P.M.
6	Bid Submission closing (On line)	24/12/2019 upto 10:00A.M.
7	Bid opening date for Technical Proposals (Online)	26/12/2019 upto 10:00A.M.
8	Last date of uploading list for Technically qualified Bidder(online)	Will be intimated in due course
9	Date of opening of Financial Proposal(online)	Will be intimated in due course
10	Last date of intimation to the successful bidder	Will be intimated in due course

17. Earnest Money for the successful tenderer will be retained and converted as Initial Security deposit. The Balance security deposit @ 8% will be deducted from on-going bills to cover the total value of work done.

a) The security deposit of the successful tenderer will be refunded after defect liability period as stipulated in relevant clause of the agreement to be made in WBF2911(ii).

18. The tenderers are bound by the terms & conditions of WBF 2911(ii) along with specification, notice for calling Tenders, Special terms & condition, Information to Bidders, Schedule of works etc, which forms a part and parcel of this contract.

19. Income Tax & G.S.T will be deducted as per Govt. orders issued from time to time and would be applicable on the date of making payment of the bills. Building & other construction workers cess @ 1.0% will be deducted from progressive bills in pursuance with G.O. no. 599A/ 4M – 28 / 06dated 27/09/2006.

20. The Bidder, at his own responsibility and risk is encouraged to visit and examine the site of works and its surroundings and obtain all information that may be necessary for preparing the Bid and entering into a contract for the work as mentioned in the Notice Inviting Tender, before submitting offer with full satisfaction. The cost of visiting the site, shall be at his own expenses.

21. The intending Bidders shall clearly understand that whatever may be the outcome of the present invitation of Bids, no cost of Bidding shall be reimbursable by the Department. New Town Kolkata Development Authority

- reserves the right to accept or reject any offer without assigning any reason whatsoever and is not liable for any reimbursement of any cost that might have been incurred by any Tenderer at any stage of Bidding.
22. Prospective applicants are advised to note carefully the minimum qualification criteria before tendering the bids.
- 23. Conditional / Incomplete tender will not be accepted under any circumstances.**
- 24. The intending tenderers are required to quote the rate *online*. The rate should be inclusive of all components and taxes.**
25. Contractor shall have to comply with the provisions of (a) the contract labour (Regulation Abolition) Act. 1970 (b) Apprentice Act. 1961 and (c) minimum wages Act. 1948 and the notification (s) thereof or any other laws relating thereto and the rules made and order issued there under from time to time.
26. During scrutiny, if it comes to the notice of the tender inviting authority that the credential or any other paper found incorrect / manufactured / fabricated, that bidder would not be allowed to participate in the tender and that application will be rejected without any prejudice.
27. If there be any objection regarding prequalification of any Agency the same should be lodged on line to Executive Engineer II, New Town Kolkata Development Authority within 2 (*two*) days from the date of publication of list of qualified agencies and beyond the said time schedule no objection will be entertained
28. Before issuance of WORK ORDER, the Tender Inviting Authority may verify the credential and other documents of the lowest tenderer if found necessary. After verification if it is found that the documents submitted by the lowest tenderer is either manufactured or false in that case work order will not be issued in favour of the said Tenderer under any circumstances and his/their offer will be treated as cancelled.
29. If any discrepancy arises between two similar clauses on different notification, the clause superseding others will be solely as per the discretion of the Tender inviting authority
30. The successful Tendered whose tender is accepted shall make formal agreement in WBF 2911 (ii) along with bid documents in triplicate, within 7 (seven) days from the date of issue of work order by Executive Engineer II, New Town Kolkata Development Authority on payment of usual charges which is non-refundable under any circumstances and submit the same duly signed by him/them to this office. If the contractor fails to perform the formalities within the specified period the Tender is liable to be cancelled and the Earnest Money will be forfeited as per relevant clauses under memorandum of WBF 2911(ii).
- 31. Qualification criteria:**
- The tender inviting and Accepting Authority will determine the eligibility of each bidder. The bidders shall have to meet all the minimum criteria as stipulated in relevant clauses of this NleT.
32. The eligibility of a bidder will be ascertained on the basis of the document(s) submitted in support of the minimum criteria. If any document submitted by a bidder is either manufactured or false, in such **cases the eligibility of the**

bidder / tenderer will be rejected at any stage without any prejudice to take any penal action against him/them as may be deemed fit by the Tender Accepting Authority.

AND

The agency must have the capacity to engage laborers as directed by EIC.

33. The agency should supply the materials as per confirming to IS mark and specification laid down in schedule and also to be taken approval from EIC / his representatives before utilize in work.
- 34.No. price preference and other concession as per order no. 1110F dated: 10/02/2006 will be allowed.**
35. Agencies are required to give a work programme preferably in the form of a bar- chart and to get it approved by the EIC (Engineer-in-Charge) before commencement of work and if progress of work abruptly differs from such work programme, the undersigned may terminate the work order at any point of time and penal action as per Tender Terms and conditions will be imposed.
36. Unless otherwise stipulated, all the works are to be done as per general conditions and general specifications of the latest edition of 'PWD (W.B) schedule of Rates for Building, Roads, and Sanitary Plumbing' works for the working area.
37. In case of any inadvertent typographical mistake in the specific price schedule of rates, the same will be treated to be so corrected as to confirm with the prevailing relevant schedule of rates and/or technically sanctioned estimate.
38. Intending tenderer should note that he may have to work simultaneously with other contractors already entrusted with other work or with contractors to be entrusted with other work in future in the same site. The contractor will have to work in close co-operation and harmony with all the contractors engaged in the project. Any claim for idle labour, for any reason whatsoever, will not be entertained under any circumstances.
39. NKDA will not be held responsible for making payment against any anticipated profit and/or compensation for any losses or price escalation whatsoever for the works as stated in the annexure of this NleT. Rates should be quoted accordingly.
40. The address as furnished by the contractor shall be deemed as the postal address of this office. Any notice or instruction to be given to the contractor under the terms of contract shall be deemed to have been served if it has been delivered to his authorized agent (on the strength of authorization) or representative or sent by registered letter to his official address as furnished.
41. Arbitration clause of WBF 2911(ii) stands deleted.
42. New Town Kolkata Development Authority reserves the right to increase or decrease the quantum of work as stipulated in the schedule of work for which no change of rate will be allowed.
43. Participation in this tender deems that the applicant is fully agreeable to abide all terms and conditions as stated in this Notice Inviting e tender as well as WBF 2911(ii).
44. Mobilization advance, time / cost overrun and consequent cost escalation

- for any material, labour, etc. will not be allowed.
45. All materials are to be procured and supplied at site of work by the tendered /firm at his / their own cost from approved reputed dealer / manufacturer. Departmental materials will not be issued under any circumstances unless any such provision is made and accepted latter by both the parties. Department unless otherwise stated means New Town Kolkata Development Authority.
46. The offer shall remain valid for 180 days from the date of opening of the tender.
47. Brief Scope of work:
Execution of the following work as instructed by the EIC at the indicated location inside the Eco Urban Village at Action area II along Street No 645 and Street No 624:
- i) Surface Dressing of the ground including removing vegetation inequalities and disposal of the rubbish as directed by the EIC.
 - ii) Preparation of detailed working drawing for the work and getting it approved by the Engineer in Charge.
 - iii) Earthwork for foundation and surface preparation.
 - iv) Bed preparation with PCC
 - v) RCC work for base preparation
 - vi) Supplying and fixing of paver blocks of approved quality and specifications
 - vii) Providing and fixing 15 MM Thick system having base layer of 9 mm SBR with 6mm EPDM Top Layer In-situ Rubber Flooring.
 - viii) Supplying, fitting and fixing of stainless steel benches as per specification and as directed by the EIC.
 - ix) Supply fitting and fixing of Gymnasium equipments as per attached specifications including preparation of foundation as directed by EIC.
 - x) Plantation of saplings and associated work as per specifications and as directed by the EIC.
 - xi) Completion of all the above work as directed by EIC and maintenance of the set up for 5 (five) years after lapse of one year from the completion of the project.
(For more details refer to the BOQ file at the appropriate link which is an integral part of this tender document)
48. Evaluation Method:
Evaluation of the bids will be made on the basis of submitted credentials the opinion of the tender inviting authority will be final on this matter.
49. Enclosure:
- i) Location plan
 - ii) Proposed Design
 - iii) Schedule of Gymnasium Equipments
 - iv) Approved make list and technical specifications.

Executive Engineer I
New Town Kolkata Development Authority

MEMO NO: 8815/ NKDA/Engg-36/2010(X)

DATE:09/12/2019

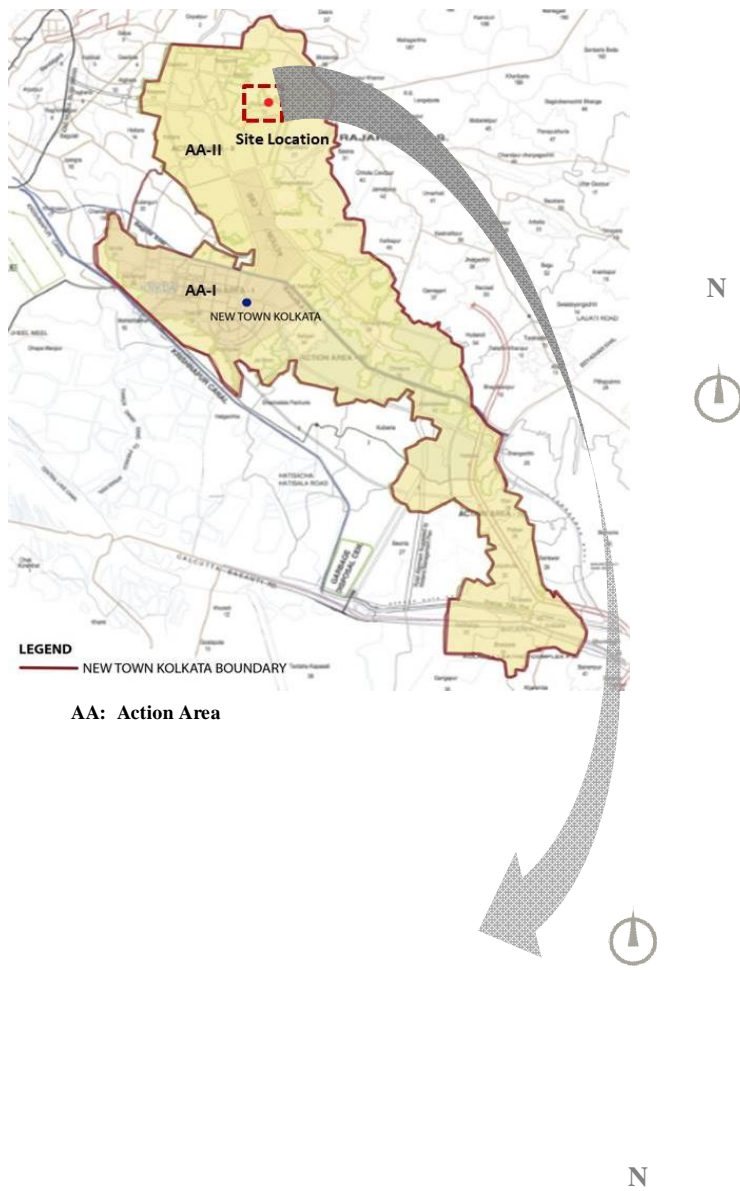
Copy forwarded for information to:-

1. The Chief Executive Officer, New Town Kolkata Development Authority.
2. The Chief Engineer, New Town Kolkata Development Authority
3. The Chief Executive Officer, New Town Kolkata Green Smart City Corporation Limited
4. Administrative Officer I & II New Town Kolkata Development Authority
5. Chief Finance officer, NKGSCCL
6. Chief Technical Officer, NKGSCCL
7. Technical Officer, NKGSCCL
8. The Finance Officer, New Town Kolkata Development Authority
9. Executive Engineer-II/Executive Engineer III/ Executive Engineer IV&ME
New Town Kolkata Development Authority
10. The Estimator/ Sr. Accountant / Cashier, New Town Kolkata Development Authority.
11. Office Notice Board.
12. Official Website of New Town Kolkata Development Authority
(www.nkdamar.org)

**Executive Engineer I
New Town Kolkata Development Authority**

Location plan

The proposed site for open gym is lies within Eco -Urban Village which is located in Action Area II along Street No 645 (40 m ROW) and Street No 624.



Eco -Urban Village lies along lake serving as a popular urban space for boating and picnics. Presently this 5 acres (approx.) facility has its entry from Street No. 645. This open space already has existing boundary wall, pathways, grassed areas with thatched shelters, lighting, drinking water facility, toilets, drains, etc and is operated by West Bengal Housing Infrastructure Development Corporation Limited (WBHIDCO).





View showing existing boundary wall, pathways, lawns and thatched shelters



View of existing Entrance

Presently the proposed site for open gym is lawn area. The area of the site is approx. 0.58 Acres



Proposed project Site View

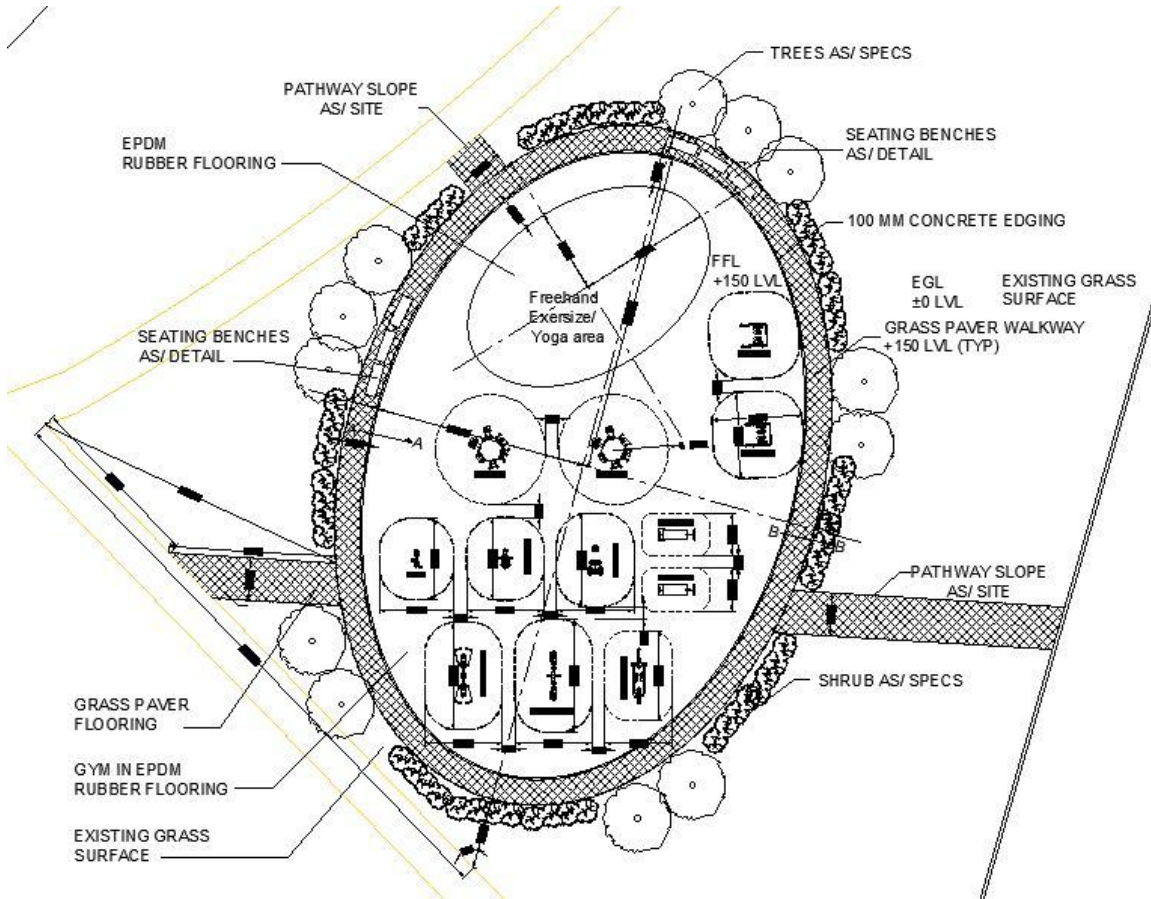
Source: NKDA

Proposed Design

In order to ensure proper segregation of programme spaces while maintaining visual connections for safety, following has been incorporated in the layout.

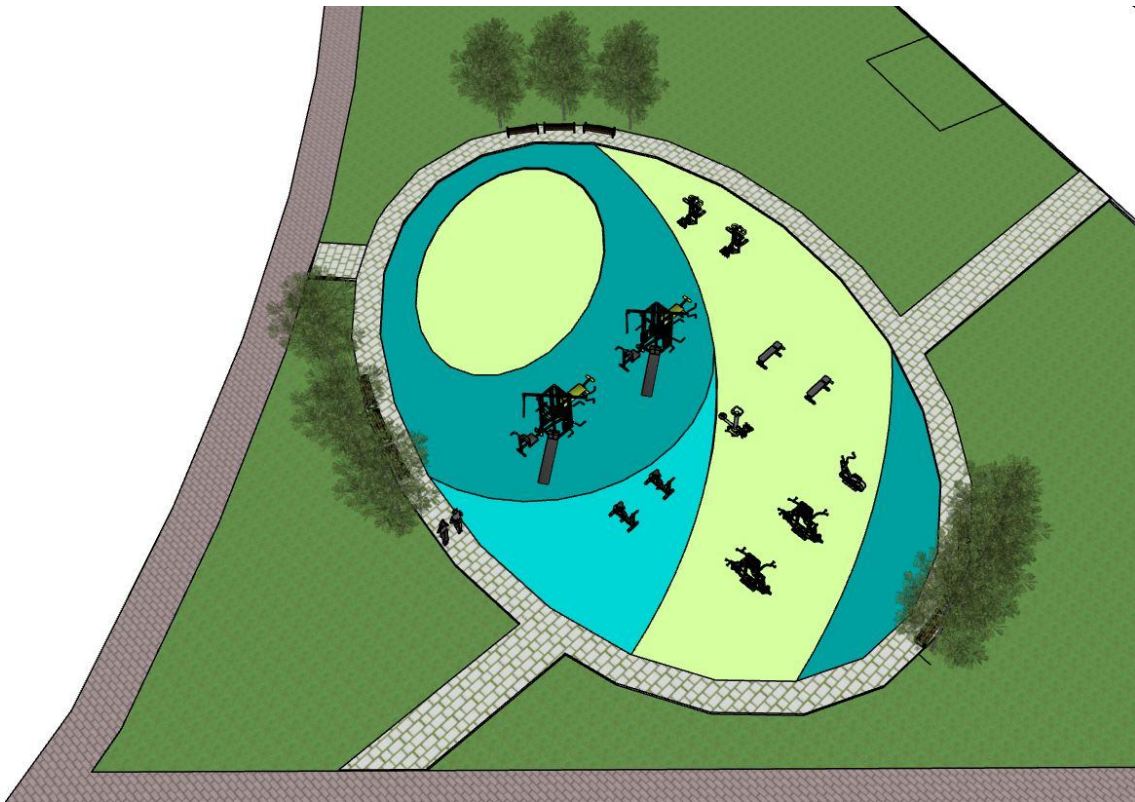
1. Proposed equipment are squat pushing, cross trainer, shoulder press, sit up bench (2 No.), twist stepper, horse rider, cycle, Multi Gym (2 No.), Air walker (2 No.).

2. EPDM Rubber flooring has been proposed for flooring on 150 mm thick base from ground level.
3. The proposed paved pathways have grass paver flooring.





Proposed Floor Plan
Source: NKDA

Views



Detail Design drawings are enclosed as annexure I

Schedule of Gymnasium Equipment

<p>Multi Gym 6 station</p> <p>Function:</p> <ul style="list-style-type: none">• As per selected equipment. <p>Instruction: As per selected equipment.</p> <p>Specifications: Size – 1545 X 660 X 1700mm Main Pipe Dia – 127 mm, thickness – 3 mm Base plate dia – As per manufacturer's specification Powder Coating.</p>	
<p>Air Walker</p> <p>Function:</p> <ul style="list-style-type: none">• Strengthens cardiac and pneumatic function.• Develops the strength of muscles in lower limbs and waist.• Improves the flexibility, coordination and stability of lower limbs. <p>Instruction: Step on the two footboards by holding the two handles and pulling them repeatedly with the feet simulating sliding.</p> <p>Specifications: Size – 1545 X 660 X 1700mm Main Pipe Dia – 127 mm, thickness – 3 mm Base plate dia – As per manufacturer's specification Powder Coating.</p>	

Cycle

Function:

- Enhances cardiovascular health and motion of the legs
- Shed fat from the lower body

Instruction:

Sit upright on the chair by holding the handle bars in front. Spin the pedals provided by using legs for a cardio movement.

Specifications:

Size – 1143 X 553 X 1295 mm

Main Pipe Dia – 127 mm, thickness – 3 mm

Base plate dia – As per manufacturer's specification

Powder Coating.



Horse Rider

Function:

- Activate the body joints.
- Strengthen the flexibility of the muscles group
- Cardiopulmonary function.

Instruction:

Sit and holds the two handles and put the feet onto footboards. By utilizing own weight pull and stretch on legs and then return to sit in the position and repeat the cycle.

Specifications:




Size – 1090 X 560 X 1065 mm

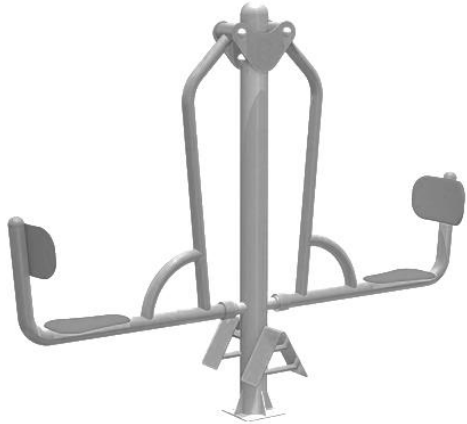

Main Pipe Dia – 127 mm, thickness – 3 mm

Base plate dia – As per manufacturer's specification

Powder Coating.



<p>Twist Stepper</p> <p>Function:</p> <ul style="list-style-type: none"> • Stepper - Weight reduction, cardiovascular benefits, toning legs, improves coordination and flexibility of joints. • Waist twister – beneficial for muscle groups of waist and back. <p>Instruction: Stepper – standing on the pedals by holding the handle with both hands. Then step up and down repeatedly. Waist twister – keep feet steadily on the rotating disc and holding the handles with both hands. Then, move the waist from left to right and right to left repeatedly.</p> <p>Specifications: Size – 1140 X 765 X 1575 mm Main Pipe Dia – 127 mm, thickness – 3 mm Base plate dia – As per manufacturer's specification Powder Coating.</p>	
<p>Sit up Bench</p> <p>Function:</p> <ul style="list-style-type: none"> • Strengthen the abdominal muscles <p>Instruction: Lie down on the camber by hook the feet at the rung and putting the hands behind the head. Use abdominal muscles to sit up and return to original position. Repeat the movement.</p> <p>Specifications: Size – 1600 X 1065 X 580 mm Main Pipe Dia – 100-150 mm, thickness – 3 mm Base plate dia – As per manufacturer's specification Powder Coating.</p>	
<p>Shoulder Press</p> <p>Function:</p> <ul style="list-style-type: none"> • Strengthen the muscle strength of upper limbs, chest and the back. <p>Instruction: Sit on the seat planed with facing inward or outward. Then hold and pull down the handles. Hold a moment and return slowly to original position. Repeat the cycle.</p> <p>Specifications: Size – 2110 X 890 X 2085 mm Main Pipe Dia – 100-150 mm, thickness – 3 mm Base plate dia – As per manufacturer's specification. Powder Coating.</p>	

<p>Squat Pushing</p> <p>Function:</p> <ul style="list-style-type: none"> • Train waist, abdomen joints and lower body. • Enhance the flexibility and leg power and cardiopulmonary function. <p>Instruction: Sit on the seat plank tread onto the footboards and stretch the legs holding a moment at the max stretch. Then release the stretch slowly. Repeat the actions.</p> <p>Specifications: Size – 2185 X 460 X 1700 mm Main Pipe Dia – 100-150 mm, thickness – 3 mm Base plate dia – As per manufacturer's specification. Powder Coating.</p>	
<p>Cross Trainer</p> <p>Function:</p> <ul style="list-style-type: none"> • Activate the upper and lower limbs and waist joints. • Strengthen the flexibility of the muscles group and the cardiopulmonary function. <p>Instruction: Step on the footboards by holding the two handles. Push and pull the handles repeatedly with the feet simulating sliding.</p> <p>Specifications: Size – 1370 X 660 X 1755 mm Main Pipe Dia – 100-150 mm, thickness – 3 mm Base plate dia – As per manufacturer's specification. Powder Coating.</p>	

OPEN AIR GYM DETAILED SPECIFICATION AND APPROVED MAKE.

SL.NO	SPECIFICATION	MAKE LIST
1	Supplying ready mixed concrete of M 25 Grade with well graded stone chips of 20 mm nominal size containing designed quantity of cement per Cu.m of wet concrete produced in computerised batching plant under controlled condition using approved super plastisizer, designing concrete mix following I.S. 10262 and I.S. 456, transporting the mix with agitation in transit mixer to work site depositing the mix on a platform erected for the purpose at required levels of concreting and then placing the mix in its final location of form work compacting and curing the same complete as per specification & direction of the Engineer-in-charge including computerised batching plant transit mixer with all accessories vibrators etc. inclusive of all other incidental charges in this connection complete but excluding cost of hire charge of platform and its supporting staging which would be paid through separate item. [cement to be supplied by the Manufacturer/supplier. In Ground Floor and Foundation: (ii) With approved concrete pump	LNT/Ultratech/FTC
2	Priming one coat on steel or other metal surface with synthetic oil bound primer of approved quality including smoothening surfaces by sand papering etc.	Berger/Asian Paints/Nerolac
3	Painting with best quality synthetic enamel paint of approved make and brand including smoothening surface by sand papering etc. including using of approved putty etc. on the surface,if necessary : (b) On steel or other metal surface : With super gloss (hi-gloss) (iv) Two coats (with any shade except white)	Berger/Asian Paints/Nerolac
4	Providing and fixing at or near ground level precast cement concrete in kerbs (size: 450 mm x 350 mm x width 150 mm at bottom with bevelled nosing at top) of cement concrete M20 Grade without reinforcement, fixing as per approved pattern and setting in position at site after preparing the bed grade and slopes by laying Cement concrete with jhama khoa (1:4:8) as per specification and direction of Engineer-in- Charge including filling of joints with 10 mm thick cement mortar (3:1) and back filling the vertical piece properly with earth duly compacted and curing the mortar joints for at least 3 days including cost and carriage of all materials complete.	GK precast/Advance precast/ S G Poly Concrete.
5	Supplying, Providing, fixing of 2 X 80 L capacity Trash Bin made from SS 304 grade material with proper support and firmly fixed to ground with suitable arrangement as directed by engineer-in-charge, including transportation, Loading unloading etc all complete.	Experio/ GreenWorld
6	Providing and fixing 15 MM Thick system having base	Koochie /ok play

	layer of gmm SBR with 6mm EPDM Top Layer Insitu Rubber Flooring. The flooring should be of high quality/Impact absorbing rubber surfaces & best suitable for walking & Running surfaces. This system should be Consists of two rubber layer which are made on site by mixing rubber granules with clear polyurethane binder. Base layer consists of SBR rubber (Black Colour) and top wear layer consist of EPDM (coloured rubber) provides a clean, seamless and absolutely low maintenance surface.	/Bodyline/ Experio /Replay
7	Supplying, Providing and fixing of Stainless-Steel sitting Bench of size 1200mm x 450mm with back support and firmly fixed with the base concrete, including all lead and lifts all complete as per the direction of the engineer in charge.	Experio/ GreenWorld
8	Providing and fixing Outdoor Gym equipment as per manufacturers specifications (Including foundation works)	Bodyline/Replay/ Experio/ Koochie
9	Supplying, fitting & fixing UPVC pipes A- Type and fittings conforming to IS:13592-1992 with all necessary clamps nails, including making holes in walls, floor etc. cutting trenches in any soil through masonry concrete structures etc if necessary and mending good damages including joining with jointing materails (Spun Yarn, Valamoid/Bitumen/M-Seal etc) complete. UPVC Pipes: 110 mm. Dia.	Supreme/Garware Finolex/ Astral